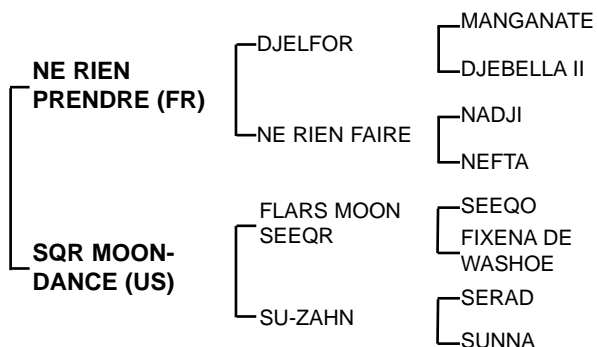


No:38

BASMAH W'RSAN
(AE) Bay, Mare
04/01/2004



BASMAH W'RSAN - 8 places in UAE.

INFOAL by AZZAM AL ZOB AIR
Due to FOAL on **FEB 2024**

Sire:**NE RIEN PRENDRE** (c, by Djelfor) **4 wins** & 5 places in France & UAE. **Full Brother** to **HAMID** - The UAE Equestrian & Racing Federation Int'l Stakes (**Gr.3**) & **SAADI DES BERGES**.

1st Dam; **SQR MOONDANCE** (f, by Flars Moon Seeqr)
1999 50miles 5th placed

2nd Dam: **SU-ZAHN** (f, by Serad)