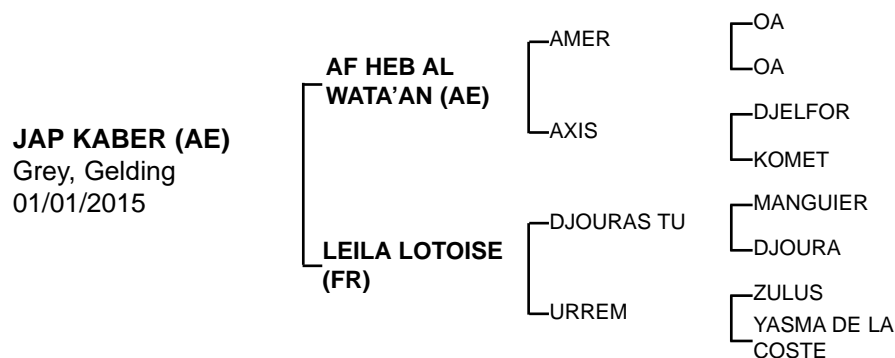


No:62



JAP KABER - unplaced from 1 start. **Half Brother to AHMADANI.**

31/12/2022	80km Qualifier	Complete
29/12/2021	40km Qualifier	Complete
11/12/2021	40km Qualifier	Complete

Sire: AF HEB AL WATA'AN (c, by Amer) Unplaced from 1 start. His sire **AMER** (c, by Wafi), **5 wins** from 7 starts in UK. Outstanding sire of **winning race horses Sire of 107 winners** of 432 races including **49 Group 1** races around the world. **AL ANOOD - 18 wins** (incl: **6 Gr.1** races), **MUTABAHI - 11 wins** (incl: **4 Gr.1**), **DAHESS - 27 wins** (incl: **13 Gr.1** races), **NIZAM - 15 wins** (incl: **4 Gr.1** races), **AL DAHMA - 22 wins** (incl: **15 Gr.1** races), **MUGADIR - 17 wins**, **MAJD AL ARAB - 10 wins** (incl: **5 Gr.1** races), **MUNEEF - 6 wins** (incl: **1 Gr.1** races), **GENERAL - 5 wins** (incl: **1 Gr.1** races), **AL ANQA - 3 wins**, **DAMIS - 2 wins**, **MURHIB - 10 wins** incl: **Gr.2 & Gr.3 winners**, **MALEEHAH - 16 wins** including French **1Gr. win**, **OMAIER - 3 wins**, **RAQIYAH - 5 wins** (incl: **Gr.1** races), **TAMEEMAH - 5 wins**, **AL ZUBARAH - 18 wins**, **DARRAB - 8 wins**, **MALIKA AL MAIDA - 6 wins**, **ZREIG - 4 wins**.

1st DAm: **LEILA LOTOISE** (f, by Djouras Tu) **1 win** & placed from 2 strats. Dam of:
AHMADANI (c, by Ahmadani Musafar) **2 wins** & 7 places

JAP KABER (c, by AF Heb Alwata'an) **Subject Horse.**

Her sire **DJOURAS TU** (c, by Manguier) **5 wins** & 2 places from 7 starts. From family of **DJERBA OUA & DRAGON**. Sire of over **46 winners** of 250 races, including **30 Group 1** races. incl: **CARMENSITA, BARTABAS, VANISSA DU LOUP, DJOUR DU LOUP, CHERIE DU LOUP, ARSENE DE CARRERE, NEVA DE LOUP, EL MANSOUR DE BROU, DJOURIFA. EL MANSOUR DE BROU, SCOUBIBOU DE CARRERE, RABAH DE CARRERE, KAHINA** & among others.

2nd Dam: **URREM** (f, by Zulus) Unraced Dam of:

KEROUAN LOTOIS (c, by Kerbella) **4 wins** & 10 places, incl: 4th H.H. Sh. Khalifa bin Zayed Al Nahyan Triple Crown R1 (**Gr.3**).

URANUS LOTOIS (c, by Octavius) **3 wins** & 9 places, incl: **1st** H.H. Sh. Khalifa bin Zayed Al Nahyan Triple Crown R3 (**Gr.2**), 2nd Al Asayl Championship (**Gr.3**).

SARAH LOTOISE (f, by Toustem) once placed in France. Dam of:

SARAHNI LOTOIS (c, by Djarni Des Forges) **1 win** & 6 places.

NEDJAM LOTOIS (c, by Octavius) **5 wins** & 26 places.