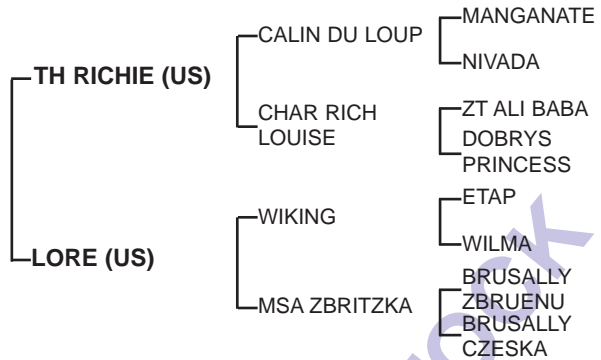


RB RICH SURPRISE
(US) Bay, Stallion
 04/02/2011



RB RICH SURPRISE - 6 wins & 16 places

OFFICIAL RATING: Turf:59 - Dirt:55

Sire: TH RICHIE (c, by Calin Du Loup) **ARABIAN TRIPLE CROWN CHAMPION, 13 wins & 5 places** (incl: **9 Gr. wins & 3 Gr. places**) from 18 starts in USA - **\$282,196, 2 Track Records** in 2005 (Sam Houston Arabian Track): Drinkers of the Wind Trail 1200m in **1:18:13**, Diamond Derby, 1400m in **1:32:52**, **1st** Bob Magness Derby (**Gr.1**), Arabian Cup Championship Juvenile Stakes (**Gr.1**), 2nd Arabian Racing Cup Championship Sprint (**Gr.1**). Sire of **many winners** incl: **RICHLORE, RB TORCH, RB SO RICH, RB SMOKIN RICH, RB RICH SURPRISE, RB BIG N RICH, RICH CRAFT, RB RICH KIN, ESWARAH, RICH FRYNCHMAN, RB DJUDGE DJUDY, RB INFERNO, TWICE RICH, QUICK AND RICH, ROYALRICHES, RB RICH, RB BURN BABY BURN, MUKARAM, LIVE RICH, RICHLY BLESSED, MAHFOUZ, RAS ESINA, ASYAD, JAAHIZ & many more.**

1st Dam: LORE (f, by Wiking) **6 wins & 9 places** in USA, incl: **1st** Delaware Firecracker Fillies Futurity, 2nd Arabian Cup Championship Gladys Brown Edwards (**Gr.1**), Jewels of the East Sapphire Sprint (**Gr.2**), 3rd Buzz Brauningher Distaff Handicap (**Gr.2**). Dam of **winners** incl;

RICHLORE (f, by TH Richie) **5 wins & 10 places**

AK LORETTA (f, by Virgule Al Maury) **1 win & 6 places**, Dam of:

PADDY'S DAY (c, by Burning Sand) **22 wins & 9 places**

LORE NIVOUR (c, by Nivour De Cardonne) **1 win & 2 places**

RB RICH SURPRISE (c, by TH Richie) **Subject Horse.**

2nd Dam: MSA ZBRITZKA (f, by Brusally Zbruen) unraced, Dam of:

BONITA LORENA (f, by Wiking) **1 win & 8 places**, Dam of:

ZELLS BELLS (c, by SW Zell) **6 wins & 16 places**

BELLE LORENA (f, by Djet Set De Falgas) **1 win & once 3rd placed**

DURO (c, by No Limite) **3 wins & 2 places**

HEAR ME ROAR (c, by Emael) **1 win & 12 places**

IMPERIAL GAL (f, by Wiking) **2 wins & 2 places**

MUCHO CALIENTE (c, by Tomanchie) **19 wins & 14 places.**