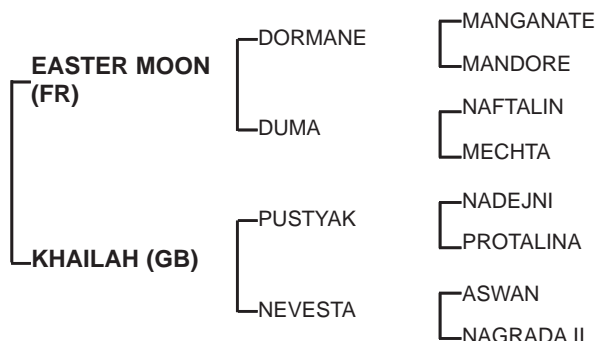


JAP RAHAAL (AE)

Bay, Gelding,
16/03/2007



JAP RAHAAL - 1 win & 2 places

Sire: EASTER MOON (c, by Dormane) **1 win** & 7 places. **winner** of Faraj bin Butti Al Muhairbi Group of Companies Maiden Race, **Full Brother** to **BOPP MOON** - **4 Gr. wins** & 13 (incl **12 Gr**) places in France, UK & UAE. **winning** incl: **1st Dubai Kahayla Classic (Gr.1)**, **JUVEN MOON** - **2 wins** & 10 places, **Half Brother** to **MARGAUX'S MOON** (f, by Barour de Cardonne) **1 win** from 2 starts, **TWO MOON** (c, by Manganate) **2 wins** & 2 places, **DAM DOOMA** (f, by Manganate) **1 win** & 5 places

1st Dam: **KHAILAH** (f, by Pustyak) unplaced from 1 start. Dam of:
JAP RAHAAL (g, by Easter Moon) **1 win** & 2 places

2nd Dam: **NEVESTA** (f, by Aswan) **1 win** & 4 places from 10 starts. Dam of:
VATIKAN (c, by Kumir) **9 wins** & 22 places from 31 starts, incl: **1st** Prize of Europe Kat.A PL, St. Leger SU **Gr.I**, Ministry of Agriculture Stakes **Gr.I**, Comparison Stakes **Gr.II**, Closing Stakes **Gr.III**, Entrance Stakes **Gr.III**; 2nd Derby SU **Gr.I**, Name of USSR Stakes **Gr.I**, Farewell Stakes **Gr.III**; 3rd Ministry of Agriculture Stakes **Gr.I**, 2000 Guineas SU **Gr.II**, Aswan Stakes **Gr.II**, Entrance Stakes **Gr.III**

NAUM (c, by Mukomol) **3 wins** & 5 places from 8 starts, incl. **1st** The Great Pyatigorsk Stakes (RUS Derby-2400m-2.48,5); 2nd S.M Budenny (RUS St. Leger-2600m-3.42); 3rd Summer Prize Stakes for 2yo.