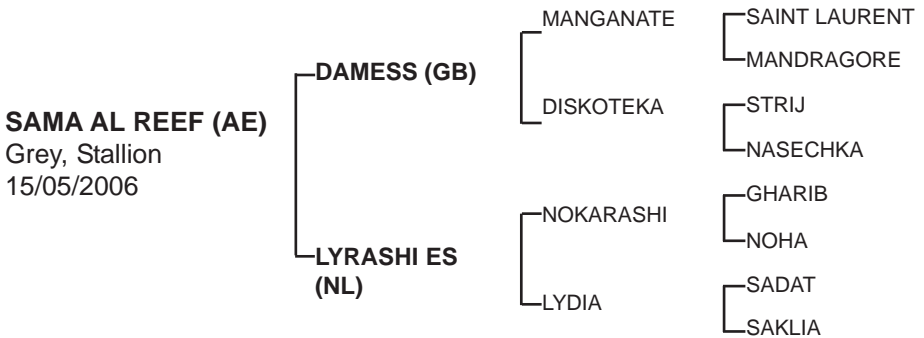


Property of : **AL REEF STABLES**



SAMA AL REEF - 1 win & 2 places. Official Rating: Turf - 37, Dirt - 43

Sire: **DAMESS** (c, by Manganate) **5 wins** and 11 places, Incl: 3rd Al Maktoum Challenge R2 (**Gr.1**), 4th Al Maktoum Challenge R1 (**Gr.1**). **Half Brother** to **NASEEM AL REEF** (c, by Nez d'Or) **6 wins** & 25 places.

1st Dam: **LYRASHI ES** (f, by Nokrashii) unraced. Dam of:

No Answer (f, by Djelfor) 4 places in France & UAE. Dam of:

DYNAMITE (g, by Bibi De Carrere) **10 wins** & 23 places - The First Local bred in the History of Arabian Racing to winner of HH The President Cup (**Gr.1**).

SHIJAR (c, by Tidjani) **3 wins** & 8 places

Areema (f, by Djelfor) 2 times 2nd places from 2 starts in France. Dam of:

CENTURION (c, by Tahar de Cadelon) **1 win** & once 2nd place

DANGER (c, by Tahar de Cadelon) **3 wins** & 4 places