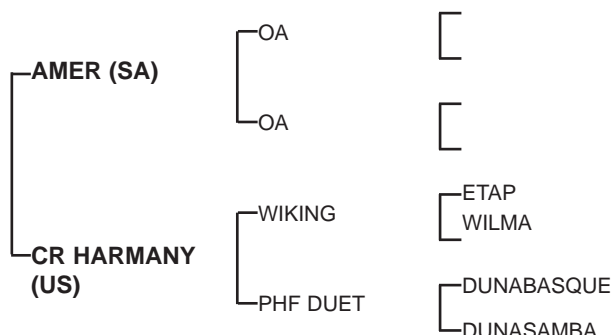


Property of : **AL AWEER FARM****IBN HARMANY AL
ZOB AIR (AE)**Grey, Stallion,
14/06/2009

Sire: **AMER** (c, by Wafi), **5 wins** from 7 starts in UK, **1st UAE International Handicap**, **1st Al Nahyan International Stakes**, **1st UAE International Sprint**, **1st UAE International Mile**, **1st Qatar Sprint Championship**, He ran over distance from 1000m to 2200 m but seemed to run best over 1200 m, sire of **winners** incl: **AL ANOOD - 18 wins** (incl; **6 G1**), **MUTABAHI - 11 wins** (incl; **4 G1**), **DAHESS - 28 wins** (incl; **13 G1**), **AL DAHMA - 12 wins** (incl; **6 G1**), **MUGADIR - 15 wins**, **MAJD AL ARAB - 10 wins** (incl; **5 G1**), **MUNEEF - 5 wins**, **AL ZUBARAH - 4 wins**, **AMIRAT AL KHEIL - 6 wins**, **DARRAB - 8 wins**, **KEILAN - 5 wins**, **MALIKA AL MAIDA - 6 wins** & among others.

1st Dam: **CR HARMANY** (f, by **WIKING**) is a Pure Polish racing mare who had a reasonably limited but fairly successful career on the racetrack. In the US, she had a record of **9 (0-6-1) 0-2**, **\$12,832**, **2nd Juan De Shawn Arabian Cup Juvenile**, **Firecracker Futurity** before being imported into the UAE. **Full Sister** to **winner's** incl: **CR OVER DRIVE**, **CR CHARLIEDICKENS** & **Half Sister** to **Winner's** incl: **CR PISTOL PETE**, **THE DESERT DANCER** & **SAMBORETTE**.

2nd Dam: **PHF DUET** (f, by Dunabasque) Unraced, Dam of **winner's** incl:
SAMBORETTE (f, by Sambor) **27 (6-3-5) 3-3**, 3 to 6, **\$43,989**
CR PISTOL PETE (c, by Pyton) **27 (13-4-3-2)** in Qatar and England
SAMSJET (c, by Sambor) **31 (4-4-6) 0-1**, 3 to 5, **\$23,923**
CR OVERDRIVE (c, by Wiking) Raced in **USA 6(2-2-1)**, **UK 4(0-1-1)** and **Qatar 13(6-2-3)**
DUNAJEST (f, by Cassels Bruczeit) **6 (1-1-1) 0 - at 3**
CR CHARLIEDICKENS (f, by Charlie Valentine) **5 wins & 18 places** in **USA & UAE**,

RACE HORSE